

MAIN SPECIFICATION

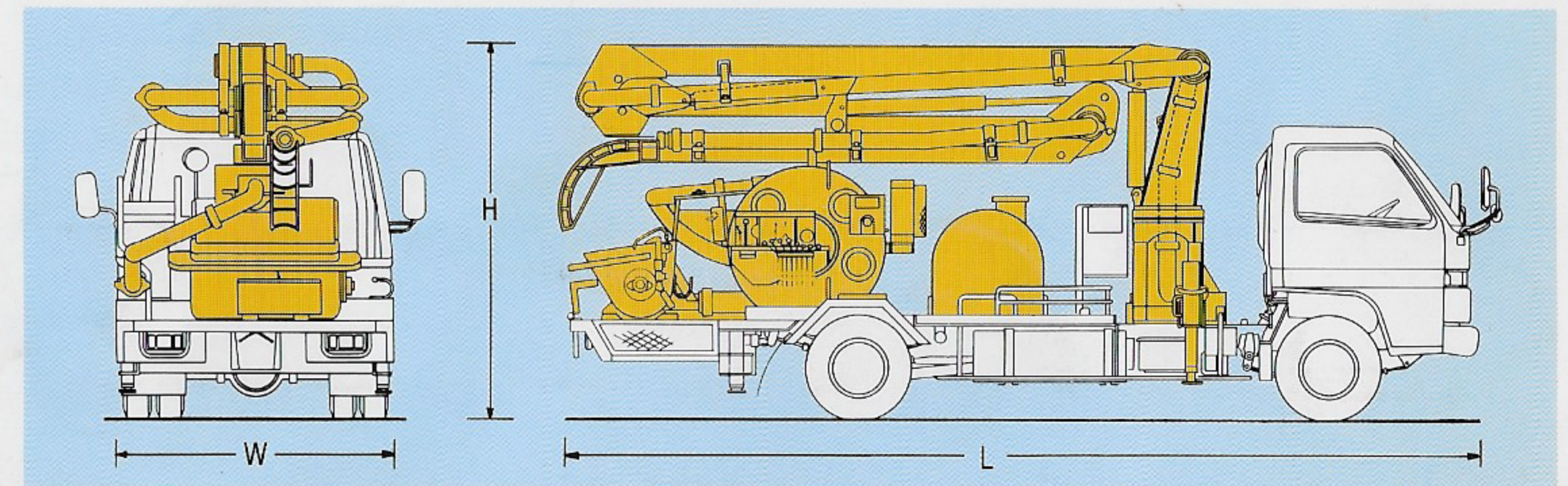
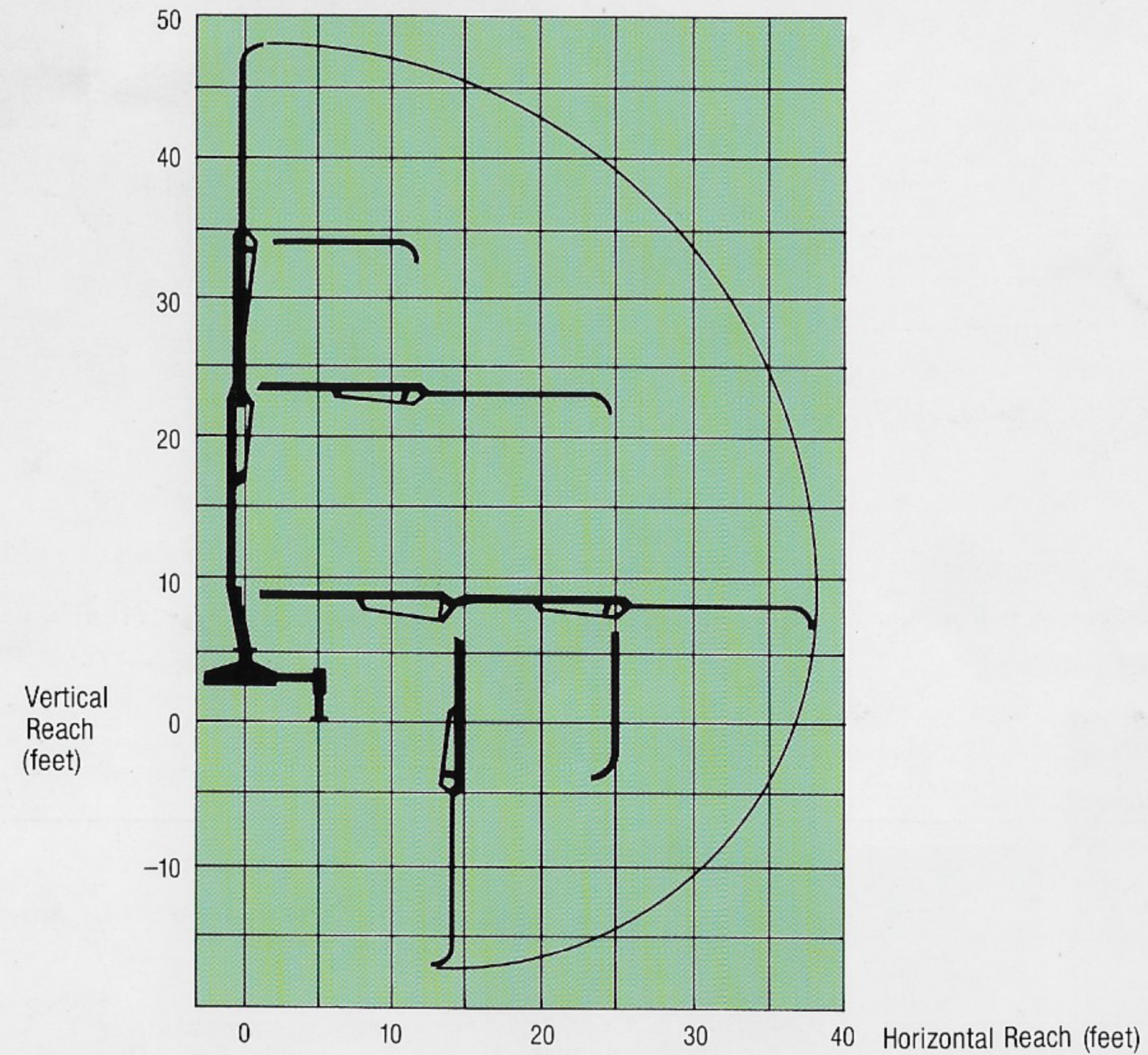
(PUMP)		
TYPE	MP-50	
SYSTEM	Double Roller Squeeze System (patented)	
Max. Discharging Capacity (yd ³ /h)	50	
Max. Aggregate Size (inch)	1	
Concrete Slump (inch)	3	
Hopper Capacity (gallon)	66	
Inner Diameter of the Pumping Tube (mm)	102	
Oil Tank Capacity (gallon)	32	
Oil Cooler	Air Cooling (electric)	
(BOOM)		
System	3-arm Boom (hydraulic)	
Max. vertical Reach (feet)	47feet 7inch	
Max. Horizontal Reach (feet)	37feet 5inch	
Slewing Range (degree)	360°	
Pipeline Inner Diameter (mm)	105	
Inner Diameter of the End Hose (mm)	91	
Front Outrigger	Type	Double Action Hydraulic Cylinder with Direct Ground Press Mechanism (manually operated)
	Extended Length	Max. Extended Length 9 feet 10 inch
Rear Outrigger Type	Double Action Hydraulic Cylinder with Direct Ground Press Mechanism	
Safety Device	Hydraulic Safety Valve, Hydraulic Cylinder Lock Device, Alarm Buzzer	
(CLEANING)		
Pipe Cleaning	Water Cleaning with the Sponge	
Car Body Cleaning	Electric Water Pump	
Water Tank Capacity (gallon)	132	
Length of the Pump Car (feet)	23 feet 5 inch	
Width of the Pump Car (feet)	7 feet 3 inch	
Height of the Pump Car (feet)	9 feet 9 inch	
Weight of the Pump Car (pound)	16,645	

STANDARD ACCESSORIES

Steel Pipe	Inn.Diam. 105 mm Length 9 feet 10 inch	5 pc.
Steel Pipe	Inn.Diam. 105 mm Length 6 feet 7 inch	1 pc.
Middle Hose	Inn.Diam. 105 mm Length 6 feet 7 inch	1 pc.
End Hose	Inn.Diam. 91 mm Length 23 feet with a taper pipe (Inn.Diam. 105mm~91)	1 pc.
Victaulic Joint	100G	11 pc.
Sponge	Diam. 160 mm length 150 mm	5 pc.
Pumping Tube (Spare)	Inn.Diam. 102 mm length 2600 mm	1 pc.
Tool Set		1 st..
Grease Pump	Cartridge Type	1 st..

For improvement, specifications are subject to change without prior notice.

BOOM WORKING RANGE



International Techno Corp.

13101 Washington Blvd., Suite 223, Los Angeles. CA90066-5125
Phone: (310)827-2265 Fax: (310)822-2175